

# D-4.2.8 Communications Network Requirements

Design Workstream

Ofgem Switching Programme



<b>Version:</b>	V1.0
<b>Date:</b>	22 June 2018
<b>Authors:</b>	DCC Authored
<b>Classification:</b>	DCC Public

## Document Control

### Revision History

Revision Date	Summary of Changes	Changes Marked	Version Number
22/06/2018	Published as part of DB4	n/a	V1.0

### Reviewers

Name	Title / Responsibility	Release Date	Version Number

### Approvals

Name	Signature	Title / Responsibility	Release Date	Version Number
		TDA Chair	22/06/2018	V1.0

### References

This document is associated with the following other documents:

Ref	Title	Source	Release Date	Version Number
[1]	Switching Programme Defined Terms	Ofgem		
[2]	D-4.1.2 Detailed Design Model (ABACUS)	Ofgem	22/06/2018	Final v2
[3]	D-4.2.1 CSS User Requirements Specification	DCC	22/06/2018	2.0
[4]	D-4.2.2 CSS Detailed Non-Functional Requirements	DCC	22/06/2018	2.0
[5]	D-10.2 CSS Service Management Requirements	DCC	29/03/2018	0.2
[6]	D-4.2.5 CSS Security Approach and Requirements	DCC	03/03/2018	0.7
[7]	D-4.2.4 CSS Delivery Plan	DCC	21/03/2018	Draft v0.5
[8]	D-4.2.6 CSS Data Migration Plan	DCC	20/03/2018	v0.6

## Table of Contents

<b>1</b>	<b>INTRODUCTION.....</b>	<b>4</b>
1.1	PURPOSE.....	4
1.2	SCOPE.....	4
<b>2</b>	<b>E2E SWITCHING ARRANGEMENTS.....</b>	<b>5</b>
<b>3</b>	<b>COMMUNICATIONS NETWORK SERVICES .....</b>	<b>7</b>
3.1	SWITCHING NETWORK .....	7
3.2	DCC GAMMA NETWORK (SMART METERING).....	7
3.3	ADDRESS SERVICE NETWORK.....	7
3.4	SERVICE MANAGEMENT TOOL NETWORK.....	7
3.5	OTHER CSS NETWORK CONNECTIONS.....	7
<b>4</b>	<b>REQUIREMENTS .....</b>	<b>8</b>
4.1	INTRODUCTION.....	8
4.2	SWITCHING NETWORK REQUIREMENTS.....	8

## 1 Introduction

Ofgem have decided to overhaul the current switching arrangements by introducing a package of reforms known as RP2a. The main reform will replace the switching functions of existing Central Data Services (MPAS and UK Link) with a single Central Switching Service (CSS) that will facilitate reliable and fast switching across gas and electricity markets.

Under the reformed end-to-end (E2E) Switching Arrangements, Suppliers will direct switch requests to CSS instead of MPAS and UK Link. CSS will also coordinate any interventions that may be made by the losing Supplier in the course of a switch, as well as any changes received from the gaining Supplier. Throughout the switching process CSS will notify relevant Market Participants of the progress of in-flight switches.

### 1.1 Purpose

The purpose of this document is to define the Functional, Non-Functional, Security, Delivery and Service Management requirements for the Communications Network services, along with contextual information about the new Switching Arrangements. The online D-4.1.2 Detailed Design Model (ABACUS)<sup>[2]</sup> should also be accessed to gain a wider perspective of the end-to-end Switching Arrangements.

### 1.2 Scope

The scope of this document is confined to the Communication Network services that are needed to connect to the Central Switching Service to external services.

## 2 E2E Switching Arrangements

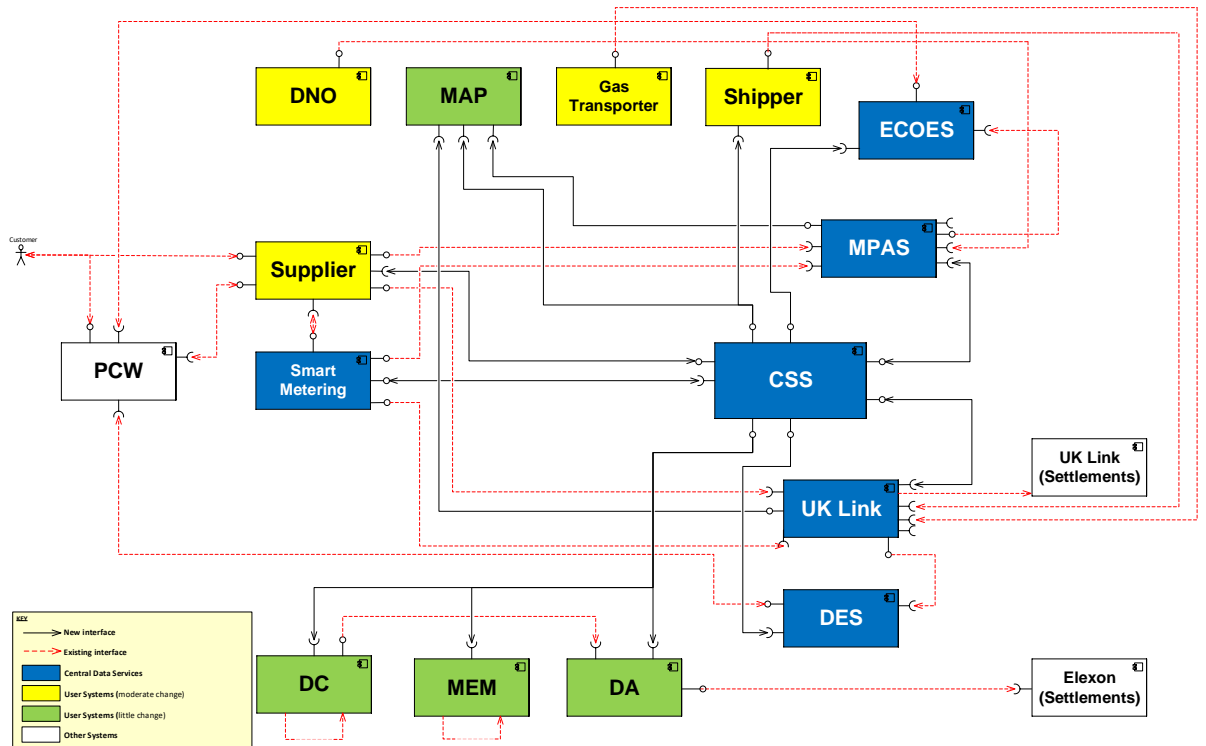
Although all the Central Data Services that contribute to the reformed E2E Switching Arrangements, with the exception of CSS, exist currently, they will need to support significant new exchanges of data which will become necessary to maintain synchronisation of data between CSS and those existing Central Data Services.

Figure 1 below illustrates the constituent data services of the Switching Arrangements and their interfaces. Existing Central Data Services are coloured blue and will need to incorporate significant data changes as part of the Switching Programme. Licensed Party Data Services (where each party is responsible for establishing and operating its own solution) are shown in yellow and will also be subject to significant data changes. Supplier Agents' Data Services (where each agent is responsible for establishing and operating its own solution) are shown in green and will be subject to limited data changes. Those Data Services shown uncoloured are indirectly linked to the Switching Programme and will not change, although Price Comparison Website (PCW) systems may opt to change if they decide to use Retail Energy Location address data.

The Electricity Central Online Enquiry Service (ECOES) and gas Data Enquiry Service (DES) are shown individually, as they currently exist, although it is possible these will be merged into a single Market Intelligence Service (MIS).

Interfaces shown in black are the major ones involved in Switching. These CSS interfaces, together with some more minor ones, will be achieved by way of the Communications Network services specified in this document.

Nb. The Switching Domain Data Service exposes an interface to all Switching data services that may choose to act upon Switching Domain Data, but it is omitted from the diagram as it sits inside the governance realm.



**Figure 1 - Switching Arrangements Data Services Interfaces**

## **3 Communications Network Services**

### **3.1 Switching Network**

This is the main network that will connect the Central Registration Service to external data services. Atomic requirements for this network are provided in Section 4.

### **3.2 DCC Gamma Network (Smart Metering)**

The existing DCC Gamma network will be used for the CSS Registration Service to connect to Smart Metering. A connection to the Gamma network will need to be provided.

### **3.3 Address Service Network**

The connection to the Address Service is dependent on the CSS Registration Service and Address Service solutions and cannot yet be specified.

### **3.4 Service Management Tool Network**

This cannot yet be specified.

It is possible that this requirement for a network will be placed on the provider of the Switching Network because the two networks largely share the same community of users.

### **3.5 Other CSS Network Connections**

Other connection(s) will be necessary, in order to connect CSS Registration Service to:

- Billing (this will be either the existing sFTP DCC connection or the DCC Enterprise Data Hub).

## 4 Requirements

### 4.1 Introduction

The requirements described in this section originate from the following documents:

- D-4.2.1 CSS User Requirements Specification<sup>[3]</sup>;
- D-4.2.2 CSS Detailed Non-Functional Requirements<sup>[4]</sup>;
- D-4.2.4 CSS Delivery Plan<sup>[7]</sup>;
- D-4.2.6 CSS Data Migration Plan<sup>[8]</sup>;
- D-10.2 CSS Service Management Requirements<sup>[5]</sup>;
- D-4.2.5 CSS Security Approach and Requirements<sup>[6]</sup>.

*Further iterations of the Requirements Spreadsheet will address the Delivery, Data Migration and Service Management requirements that are not yet included. E.g. Full Service Management support for the Switching Network will be required, which will include Network Performance reports for individual user connections.*

### 4.2 Switching Network Requirements

The spreadsheet available on the [Ofgem website](#) below lists atomic requirements for the Switching Network in a structured format. This is based on the Requirements typically found in many of the earlier deliverables of the Switching Programme, but includes some important additional information:

Each requirement includes:

- a statement of the Service(s) to which it applies;
- a MoSCoW statement about its optionality (M=Must Have, S=Should Have, C=Could Have, W=Won't Have);
- a statement of whether it applies to the DBT or Operate stage or both;
- a title, for convenience;
- a rationalised numbering scheme; and
- a placeholder for compliance statements that may be inserted by candidate services (IX, DTS).

At this stage of design, logical constructs to describe functionality and accompanying arrangements have been used, but care should be exercised as to their literal interpretation in the delivered service.